



INTRODUCTION

Your marine transceiver Pocket-4000 represents the state-of-the-art in Supreme, which is engineering. Designed for U.S and International operation. This allows you to transmit and receive all US and International channels in the VHF marine band, as assigned by the International Union (ITU). This unit is a high quality piece of electronic equipment, skillfully constructed with the finest components. It is approved with commercial-grade standards to give you clear, reliable communication.

Your transceiver is designed for many years of reliable, trouble-free performance. It is under control of a microprocessor resulting in enhanced features and performance. The microprocessor controls not only the marine band tuning but also dual watch, memory channels, and a host of other useful features.



USA Channels are not available for this version. Please contact your Radio Ocean dealer for more information.

Your transceiver has the following features:

Emergency Channel 16 Switch ---- provides quick access to channel 16, the universal marine emergency channel.(in red button

PLL (Phase Lock Loop) Controlled Circuitry ---- Provides accurate and stable channel selection.

Squelch Adjustment ---- help eliminate noise between transmissions.

Mode Switch ---- let you quickly select either the US channel mode or International channel mode.

Key Lock ---- let you lock the keypad in order to prevent the controls from accidental pressing.

Call Button ---- let you store a priority channel.

High/Low Power Selection ---- lets you save power by selecting a suitable transmitting power for long or short distances.

Battery Low Indicator ---- show the battery pack's condition.

Supplied Battery Charger ---- let you conveniently recharge your transceiver's battery pack.

Speaker and Microphone Jacks ---- let you use an earphone or external MIC/speaker accessories or microphone to help ensure understandable communication in noisy areas.

Backlit LCD Display ---- allows you to operate the transceiver in dark environment.

10 Memory Channels ---- let you store 10 channels as memory channels.

Dual/Scan Button ---- let you Dual watch monitor CH16, while you are receiving another channel ; tri-watch monitor CH-16 and the call channel while receiving another channel. Or scan all the channels for existing channels.

We recommend you record your transceiver's serial number here. This number is on the transceiver's back panel.

Serial Number _____

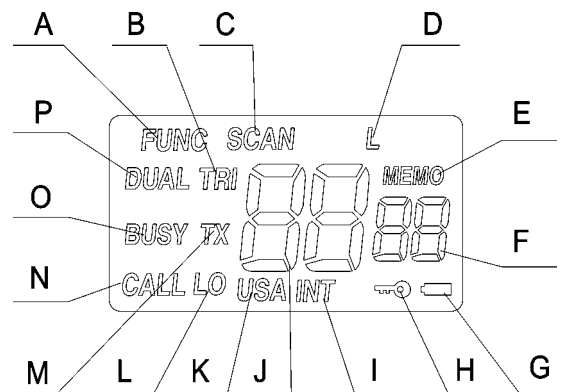
SAFETY INFORMATION

Your hand-held marine VHF radio contains a low power transmitter. When the Push-To-Talk (**PTT**) button is pushed it sends out radio frequency (RF) signals.

USING THE RADIO

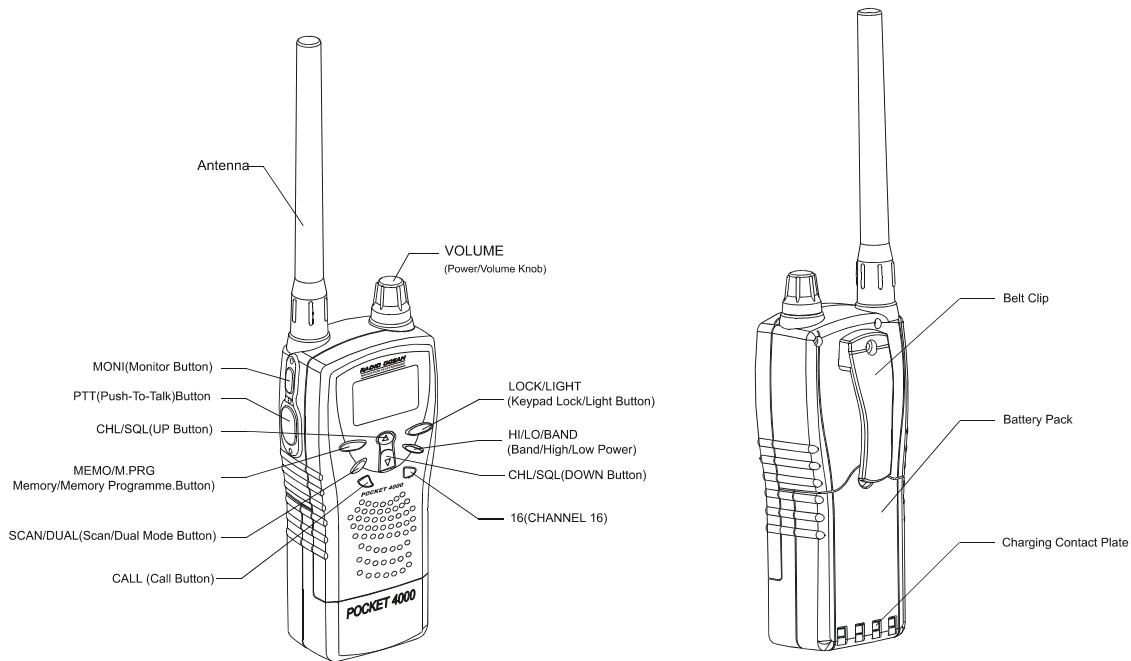
A. DISPLAY

Your radio comes with a multifunctional backlight display. By pressing **LOCK/LIGHT** key, it will illuminate the backlight for 5 seconds; once more press will turn off the light.



- A.** Function is activated.
- B.** "TRI": appears when the radio is in Triple Watch mode.
- C.** "SCAN": appears when the radio is in Scan mode.
- D.** "L" which means lockout appears to indicate the current channel you select is overridden from scan.
- E.** "MEMO" shows your radio being in memory function mode.
- F.** Small 2-bit digits show the memory channel location number or "SL" for squelch.
- G.** Battery icon: shows the battery is low.
- H.** Key lock icon: appears when key lock function is enabled.
- I.** "INT" shows the current channel is International channel.
- J.** The current selected channel number or squelch level.
- K.** "USA" shows the current channel is US channel.
- L.** "LO" shows the radio in low power mode,
- M.** "TX" appears if PTT is pushed to send transmitting.
- N.** "CALL" shows that you are using CALL channel.
- O.** When a signal is being received, your radio will have a "BUSY" appear on LCD.
- P.** "DUAL" indicates your radio is in Dual Watch mode.

B. FUNCTION AND LOCATION OF THE CONTROLS



D. BASIC OPERATION

Before operating your transceiver, you should have the following preparations. You should install the battery pack on to the main unit and fully charge your battery pack, then you can use it after making sure to attach the antenna on your radio.

Turning On/Off Your Transceiver

Rotate **VOLUME** knob clockwise to turn the transceiver on or rotate it anti-clockwise to turn off with an indicating voice of click. And adjust the volume to a comfortable level.

Illuminating the Display

When your radio is on, push **LOCK/LIGHT** key once to illuminate the display for 5 seconds. Once more press will turn off the backlight.

Function/Monitor

Press Moni button LCD Display "FUNC", Function is activated. The monitor function allows faint signals on a channel to be heard. To activate the monitor function, press and hold the **MONI** button to hear all traffic on the current channel. Release the **MONI** button when finish listening.

Using Key Lock

You can lock your radio keypad to avoid accidental pressing of keys by activating the key lock. Pressing and holding **MONI** button then press the **LOCK/LIGHT** key can enable or disable the key lock. Key lock icon will appear on LCD if it is enabled. The function is effective to all other knobs/keys except **MONI**, **PTT**, **16** and **LIGHT/LOCK** buttons.

Selecting High/Low Power

In order to extend the battery life, press **MONI** and then **BAND/HI/LO** key can select the low power for your transceiver. "LO" appears on LCD if you want to send or hear long distance or weaker signals, press both key again to select the high power, "LO" disappears on LCD. High power is 5.0 watts, and low power is 1.0 watt.

Selecting a Band

Two bands are available on the POCKET 4000 – USA, International. The USA band are frequencies for use in US boundaries. The International band are frequencies for use outside US boundaries. To switch between bands, press the **HI/LO/BAND** key until the desired band is reached. The band in use is indicated on the LCD by USA, INT. A hardware modification must be done by a Radio Ocean dealer to enable USA band on this product.

Selecting a Channel

Select the appropriate band – USA, International. Once the band is selected, press the CHL/SQL (UP/DOWN) button to scroll through the available channels.

Note: Not all channel numbers are available in all bands.

Transmitting and Receiving

The **PTT** (Push-To-Talk) button is located on the side of the POCKET 4000. Before transmitting, make sure the channel is not a “receive-only” channel. To transmit a message, press and hold the **PTT** button. Talk clearly into the speaker/microphone area of the radio. When finished, release the **PTT** button. During a transmission, “TX” appears on the LCD. To receive a call, just release the **PTT** button.

Adjusting Squelch

Squelch is used to eliminate static and background noise and allows for silent operation of the POCKET 4000 until a transmission is received. If the squelch is too high, only the strongest transmissions can be heard, and when too low, intermittent static and noise are heard.

To adjust the squelch, press and hold the **MONI** button then press either the **UP** or **DOWN** until the background noise is quiet. The LCD displays the squelch setting from 00 to 08.

Channel 16

The **16** button selects Channel 16 immediately. To exit, press the **16** button again. Channel 16 is the same frequency on both the USA and International bands.

Programming the Call Channel

1. Press the **CALL** button. “CALL” appears on the LCD.
2. Press and hold the **MONI** button then press the **CALL** button. The display will flash. Release all buttons.
3. Press **UP** or **DOWN** key to get the desired CALL channel.
4. Press and hold the **MONI** button then press the **CALL** button to store the Call Channel.

Note: The default value for CALL channel is 09.

Resetting the Radio

Provided that your radio can not work properly any longer, you can make it return to the original status by resetting. Turn on your radio while pressing and holding down **MEMO/M.PRG** or **LIGHT/LOCK** key, the current channel for USA and INT are all CH1, the CALL channel is USA CH09, squelch level is 02, the default band is INT band, etc.

Charging and Attaching Your Battery Pack

Before attaching the pack, you should detach the belt clip first, then aligningly place the pack on

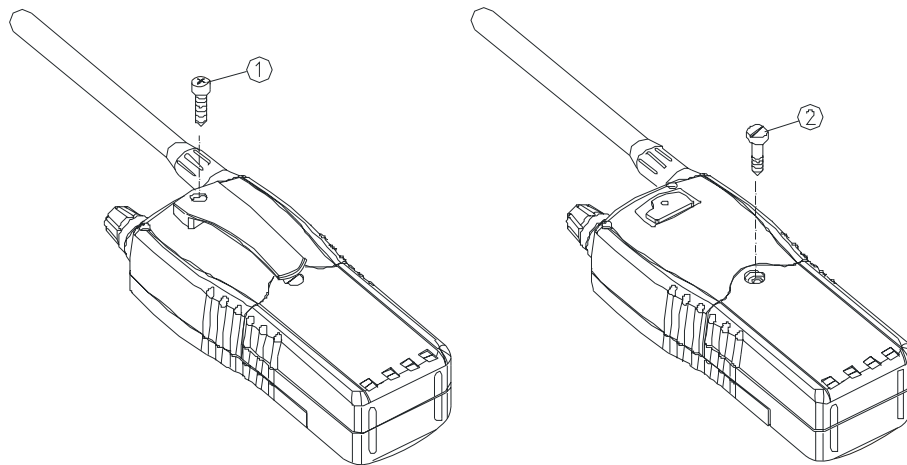
the unit and secure it using the supplied screw.

The design of the battery pack let you can charge it either when it is attached on the radio or being detached. You should use the supplied specialized desktop charger to charge it for 14~15hrs. To charge, plug the transformer into the appropriate outlet and the other terminal to the charger cradle, place the radio/battery pack mounting on the charger pedestal firmly before the charging, accompanied by lighting of the charging indicator LED.

Note: *The charging can not stop itself without prevention, even when the battery pack has been fully charged. Do not forget to take the radio/battery pack out of the cradle charger when it has been fully charged. Overcharging batteries may result in damage to both the battery pack and radio.*

Using the Belt Clip

The supplied belt clip lets you easily attach the transceiver to your belt. To attach the belt clip, put it onto the back of your transceiver aligning the fitting groove and use a standard PHILIP screw driver to secure.



E. SCANNING FEATURES

Scanning All Channels

The POCKET-4000 scans all channels in priority mode.

In priority scanning, the radio rapidly scans through channels, either in the USA or International band. It stops scanning on busy channels and remains stopped several seconds after the signal disappears allowing time to answer the call if necessary. At the same time, Channel 16 is constantly checked for activity, allowing for much quicker response to Channel 16 traffic.

To scan channels, press and hold the **SCAN/DUAL** button for a few seconds. The POCKET 4000 begins scanning channels using the scan method programmed in the radio. The word "SCAN" appears on the LCD. To stop scanning, press the **SCAN/DUAL** button, your radio will stop on the current arrived channel.

Deleting Channels from Scan

To delete a channel from scan, select the channel to be deleted. Press the **MONI** and **SCAN/DUAL** button keys at the same time. "L" appears on the LCD, indicating the channel is locked out of scan. This is useful for bypassing channels that are continuously busy. To activate a skipped channel, select the channel to be activated then press the **MONI** and **SCAN/DUAL** keys at the same time.

Dual and Triple Watch Scanning

To scan selected channels, there are two options: Dual Watch and Triple Watch.

In Dual Watch scanning, your radio toggles between Channel 16 and the current channel. In Triple Watch scanning, it toggles between Channel 16, the Call Channel, and the current channel.

Programming for Dual or Triple Watch Scanning

1. Turn the unit off. Press the **MONI** button while turning the power on until there are characters appear on LCD. Release the **MONI** button.
2. Press the **UP** or **DOWN** key until "02du" (for Dual Watch) or "03tr" (for Triple Watch) appears on the LCD.
3. Press the **16** key or turn off the radio to store programming.

To scan channels, press the SCAN/DUAL key. The radio begins scanning channels using the scan method programmed in the radio. The characters "DUAL" or "TRI" appears on the LCD.

The POCKET 4000 rapidly scans through channels, and stops scanning on busy channels. The radio remains stopped several seconds after the signal disappears allowing time to answer the call if necessary.

Press the **SCAN/DUAL** button again to exit.

F. MEMORY CHANNELS

Using Memory Channels

The radio has 10 memory locations (00-09), to quickly access frequently used channels.

To access the memory channels, press the **MEMO/M.PRG** button. The LCD displays the channel number on the left, and the memory location in smaller numbers to the right. Turn the **CHL/SQL** knob to select a memory channel. To exit the memory channel mode, press the **MEMO/M.PRG** button again.

Programming Memory Channels

To enter channels into memory:

1. Press the **MEMO/M.PRG** button.
2. Press and hold the **MONI** button then press the **MEMO/M.PRG** button. The memory location number begins to flash.
3. Press the **UP** or **DOWN** key to get the desired memory location.
4. Press the **MEMO/M.PRG** button. The channel number begins to flash.
5. Press the **HI/LO/BAND** key to select either the US or International band for the channel you wish to store.
6. Press the **UP** or **DOWN** key to reach the desired channel for this memory location.
7. Press and hold the **MONI** button then press the **MEMO/M.PRG** button to save the memory location and exit programming.
8. To store additional memory channels, repeat the above procedure.

Press the **MEMO/M.PRG** button to exit the memory channel mode.

Scanning Memory Channels

FREQUENCY CHARTS

Unit: MHz

	USA		INT	
	TX	RX	TX	RX
1	156.050	156.050	156.050	160.650
2	156.100	156.100	156.100	160.700
3	156.150	156.150	156.150	160.750
4	156.200	156.200	156.200	160.800
5	156.250	156.250	156.250	160.850
6	156.300	156.300	156.300	156.300
7	156.350	156.350	156.350	160.950
8	156.400	156.400	156.400	156.400
9	156.450	156.450	156.450	156.450
10	156.500	156.500	156.500	156.500
11	156.550	156.550	156.550	156.550
12	156.600	156.600	156.600	156.600
13	156.650**	156.650	156.650	156.650
14	156.700	156.700	156.700	156.700
15		156.750	156.750*	156.750
16	156.800	156.800	156.800	156.800
17	156.850*	156.850	156.850*	156.850
18	156.900	156.900	156.900	161.500
19	156.950	156.950	156.950	161.550
20	157.000	157.000	157.000	161.600
21	157.050	157.050	157.050	161.650
22	157.100	157.100	157.100	161.700
23	157.150	157.150	157.150	161.750
24	157.200	161.800	157.200	161.800
25	157.250	161.850	157.250	161.850
26	157.300	161.900	157.300	161.900
27	157.350	161.950	157.350	161.950
28	157.400	162.000	157.400	162.000
37				
39				
60	156.025	156.025	156.025	160.625
61	156.075	156.075	156.075	160.675
62	156.125	156.125	156.125	160.725
63	156.175	156.175	156.175	160.775
64	156.225	156.225	156.225	160.825
65	156.275	156.275	156.275	160.875
66	156.325	156.325	156.325	160.925
67	156.375**	156.375	156.375	156.375
68	156.425	156.425	156.425	156.425
69	156.475	156.475	156.475	156.475
70				
71	156.575	156.575	156.575	156.575
72	156.625	156.625	156.625	156.625
73	156.675	156.675	156.675	156.675
74	156.725	156.725	156.725	156.725
77	156.875	156.875	156.875	156.875
78	156.925	156.925	156.925	161.525
79	156.975	156.975	156.975	161.575
80	157.025	157.025	157.025	161.625
81	157.075	157.075	157.075	161.675
82	157.125	157.125	157.125	161.725
83	157.175	157.175	157.175	161.775
84	157.225	161.825	157.225	161.825
85	157.275	161.875	157.275	161.875
86	157.325	161.925	157.325	161.925
87	157.375	161.975	157.375	161.975
88	157.425	157.425	157.425	162.025

* Low power only

** Low power initially, user can override to high power via front panel controls, (MON+ PTT button)

MU 692GB - Ver 030108