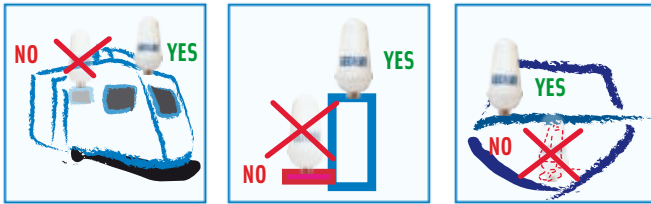


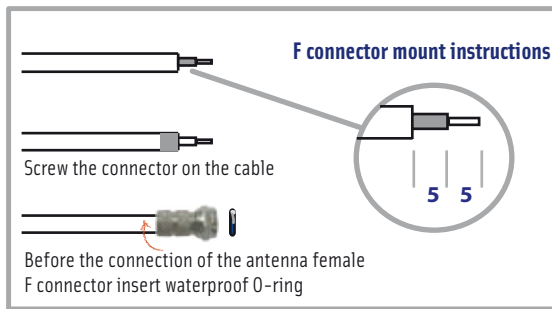
# GEONAV DVB-T & ANALOGIC ANTENNA

Dear Customer,  
Thanks to select a **GEONAV** product.  
**GEONAV DVB-T & ANALOGIC ANTENNA**, designed for DVB-T marine and land signal and also for an excellent reception of analogical TV signal.  
To get the best performance see the following notes:

**1) The antenna has to be installed highest as possible and clear by external cover.**

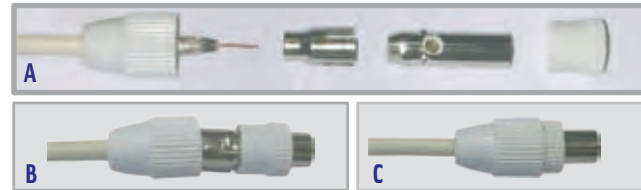


**Mount the F connector in the cable (see detail) and screw it on the antenna;**

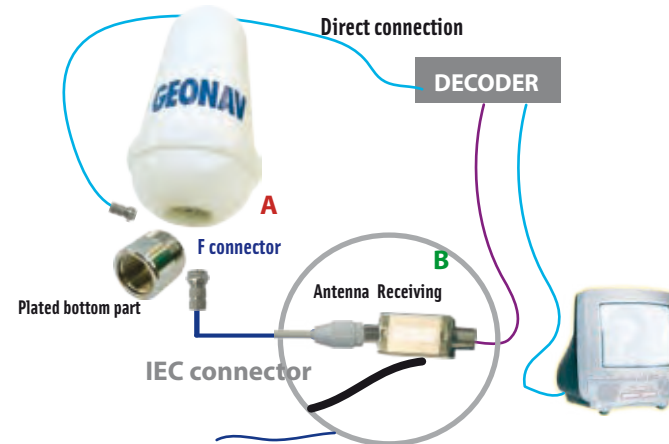


**2) Connect the TV low loss cable included in the package to the F connector on the bottom part of the antenna**  
**Screw the plated bottom part to the antenna;**  
**If you need more cable replace with satellite antenna cable, minimum 5 mm diam.**  
**If the cable is longer than 15 mt, please use a line amplifier.**

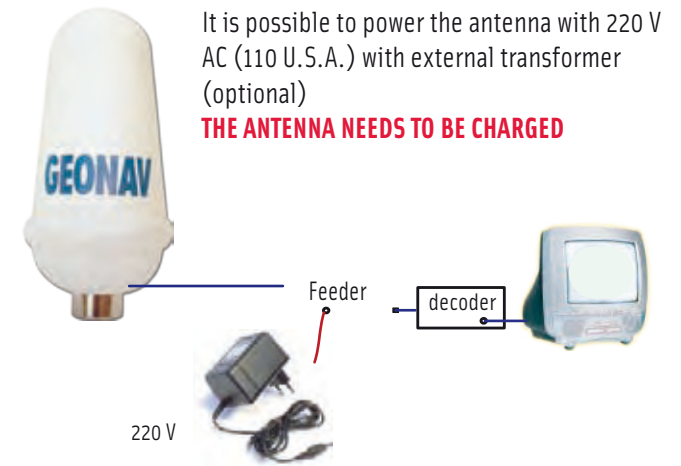
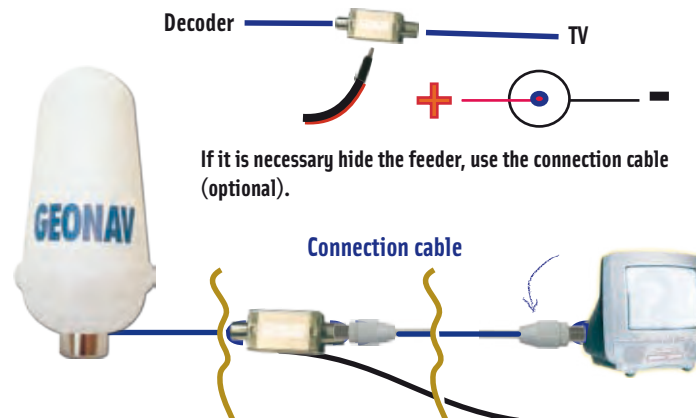
**3) Mount the IEC connector in the other cable side:**



**4) Connect the antenna to decoder (not included) - and set in the decoder antenna power: ON (blue track). THE ANTENNA NEEDS TO BE CHARGED**



**5) If you use the antenna for analogical signal or you don't use the decoder, connect the feeder included (see violet track). In this case connect the feeder pin with red-black cable to 12V-24V DC with center (+) in the supplier body.**



**A fuse is not necessary: the Digit Tv antenna has an internal automatic fuse.**

It is not necessary to disconnect the antenna, the consumption is very small: a car battery can feed the antenna for one year.

**Feeder Led OFF with no signal**

- check that on the power connector to the antenna exit there is 12V DC
- check to have not reverse the polarity on the power connector
- check that on the coaxial cable or connector there are not short circuit (the supplier is self protected)

**Feeder Led ON with no signal**

- Check that the coaxial cable connector is correctly mounted and connected
- Check that the power is connected with the TV exit in the Tv connector
- Check that on the feeder the voltage is 12V DC
- Check that on the ANT connector the voltage is 12V DC



**GEONAV**  
YOUR SIXTH SENSE

GEONAV srl  
Phone +39 0584 4396700 Fax +39 0584 961309  
info@geonav.it - www.geonav.it  
Made in Italy